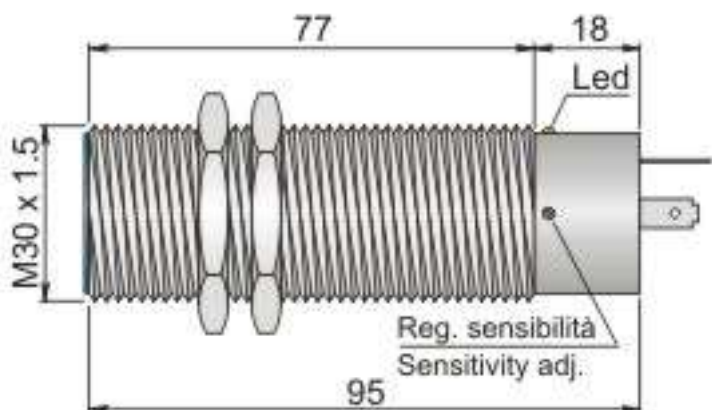




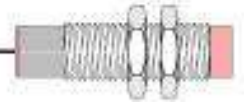
**CODE: CAP000024 DESCRIPTION: SC30M-A20 NO/NC K**



▲ KEY: ■ Standard switching distance ★ Extended switching distance ▲ Embeddable ● Not embeddable

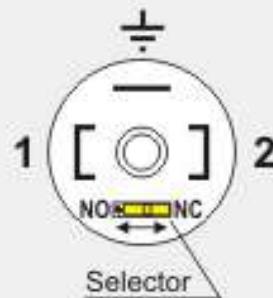
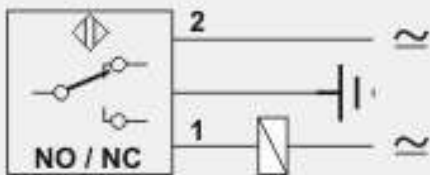
**TECHNICAL CHARACTERISTICS**

POWER SUPPLY :	MULTIVOLTAGE
WORKING VOLTAGE :	20 ÷ 250 Vac/dc
SWITCHING DISTANCE (Sn) :	0 ÷ 20 mm (Adjustable)
OUTPUT TYPE :	NO/NC PROGRAMMABLE
HYSTERESIS (% Sn) :	SnEPENSnS ON THE SnISTANCE Sn
MAX SWITCHING FREQUENCY :	10 Hz
REPEATABILITY (% Sn) :	< 1
MAX OUTPUT CURRENT :	500 mA
MIN OUTPUT CURRENT :	10 mA (minimum current for release)
MAX PEAK CURRENT FOR 20mSec :	1.5 A
RESIDUAL CURRENT :	<= 2 mA
VOLTAGE DROP :	< 6 V
SHORT CIRCUIT PROTECTION :	PRESENT (UP TO 50V IN D.C.)
LED :	PRESENT
TEMPERATURE LIMITS :	-20 ÷ 70 °C
IP RATING :	IP 65
MECHANICAL CHARACTERISTICS :	M30x1.5
HOUSING MATERIAL :	NICKELLED BRASS
CONNECTION TYPE :	K PLUG
WEIGHT :	240 g



**CODE: CAP000024 DESCRIPTION: SC30M-A20 NO/NC K**

### CONNECTION WITH K PLUG

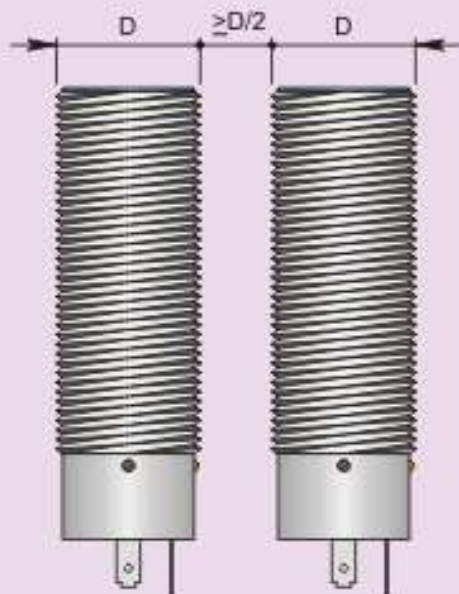


VIEW OF MALE CONNECTOR

1 / 2 = NO - NC Programmable

### INSTRUCTIONS FOR CORRECT INSTALLATION

#### EMBEDDABLE



Side by side mounting



Flush mounting